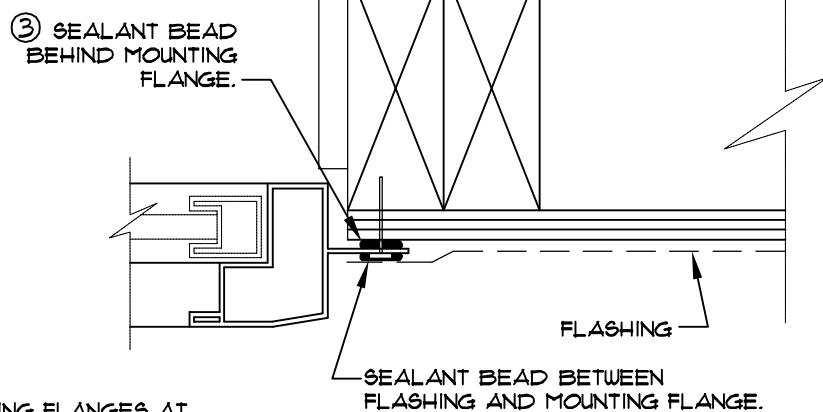


WOOD FRAME CONSTRUCTION
CODE COMPLIANT WINDOW INSTALLATION METHOD (FBC-R103.8)
 WEATHER RESISTIVE BARRIER (WRB) APPLIED PRIOR TO THE WINDOW INSTALLATION.
 FLASHING APPLIED OVER THE FACE OF THE MOUNTING FLANGE.

STEPS

- ① IN WATER SHEDDING FASHION, STARTING AT THE BASE OF THE WALL & WORKING TOWARDS THE TOP, INSTALL THE WRB TO THE FACE OF THE SHEATHING.
- ② APPLY SILL FLASHING (4or6")
- ③ APPLY BEAD OF SEALANT AT BACK OF WINDOW FLANGE TO HEAD & BOTH JAMBS. APPLY A DISCONTINUOUS BEAD TO BOTTOM FLANGE LEAVING (2) 2" GAPS.
- ④ SET WINDOW USING PAN HEAD SCREWS TO FACILITATE INSPECTION.
- ⑤ APPLY JAMB FLASHING
- ⑥ APPLY BEAD OF SEALANT AT HEAD
- ⑦ APPLY HEAD FLASHING
- ⑧ REMOVE PREVIOUSLY APPLIED TAPE, ALLOWING WRB TO LAY FLAT OVER HEAD FLASHING. APPLY NEW SHEATHING TAPE OVER DIAGONAL CUT - SEE DIAGRAM.

SECTION A
THROUGH WINDOW JAMB



SEAL THE WINDOW FRAME TO OPENING. APPLY A 3/8" NOM. DIA. TO THE BACKSIDE (INTERIOR) OF THE WINDOW FLANGE, IN LINE WITH ANY PRE-PUNCHED HOLES OR SLOTS.

⑤ JAMB FLASHING

APPLY CONT. SEAL TO THE MOUNTING FLANGES AT THE TOP (HEAD) AND SIDES (JAMBS) OF WINDOW. EMBED JAMB FLASHING INTO SEALANT AND FASTEN IN PLACE. (FLASHING GOES OVER SEALANT).

⑧

SECURE WRB AT HEAD

FLASHING AT HEAD EXTENDS 1" BEYOND JAMB FLASHING.

⑦ HEAD FLASHING

EMBED BOTTOM OF THE HEAD FLASHING AGAINST THE PREVIOUSLY APPLIED SEALANT (FLASHING GOES OVER SEALANT). EXTEND HEAD FLASHING BEYOND EACH JAMB FLASHING. FASTEN IN PLACE.

SEALANT

③

⑤ JAMB FLASHING

EXTEND JAMB FLASHING TO OVERLAP SILL FLASHING. TUCK TOP OF JAMB FLASHING UNDER THE FLAP OF WRB AT THE HEAD. SEE DIAGRAM.

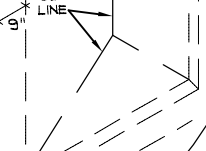
SILL FLASHING

SHIM AND ADJUST WINDOW TO ACHIEVE SQUARE, PLUMB, AND LEVEL CONDITION. USE CORROSION RESISTANT FASTENERS. FASTEN WINDOWS PER WINDOW MANUFACTURER SPECIFICATIONS.

① WEATHER RESISTANT BARRIER - WRB

AT A 45 DEGREE ANGLE, CAREFULLY CUT THE BARRIER ON A DIAGONAL. GENTLY RAISE THE TOP EDGE OF THE BARRIER UP AND TAPE THE TOP CORNERS AND CENTER TO THE EXTERIOR WRB SURFACE ABOVE.

① WEATHER RESISTANT BARRIER - WRB



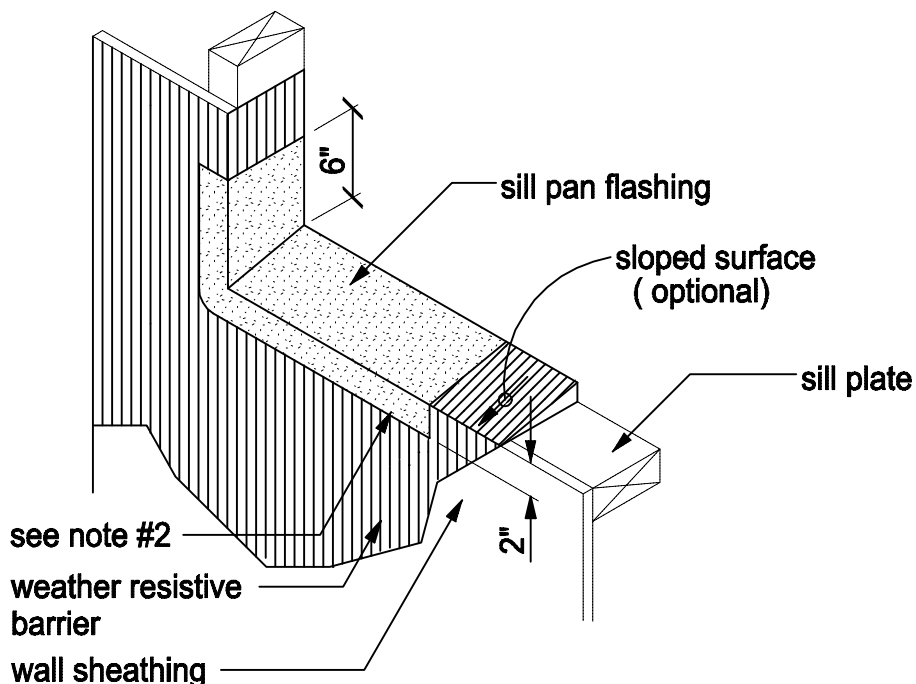
INTERIOR VIEW
TOP LEFT CORNER OF WINDOW

NOTES:

1. flashing to be flexible self-adhesive type (min. 4" wide)
2. cover sill to at least depth of window, plus 2" onto face of wrb
3. the pan shall direct water to the exterior over sill flashing
4. install flashing around remaining window unit
5. weather resistive barrier to form water shedding laps

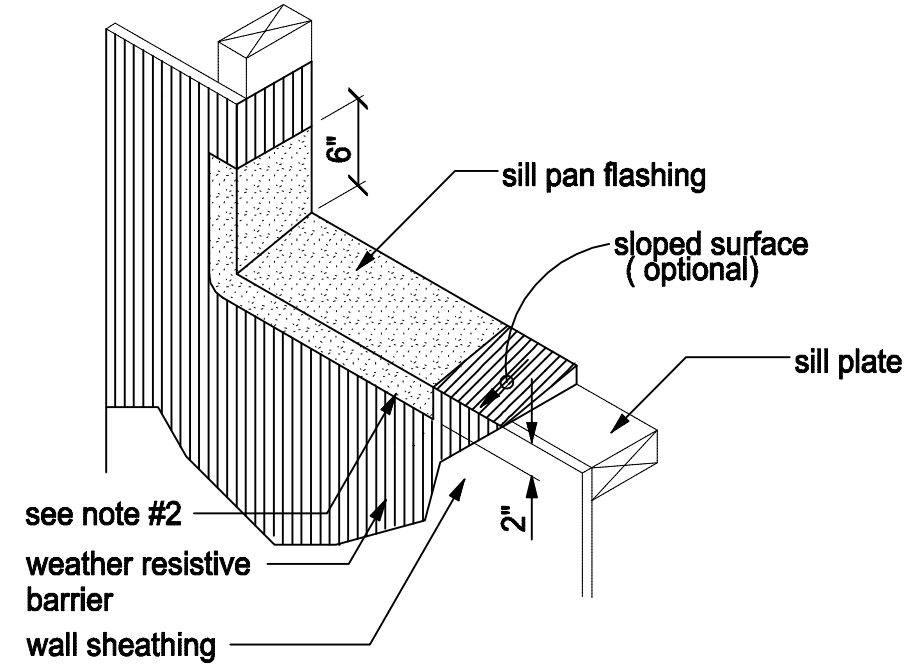
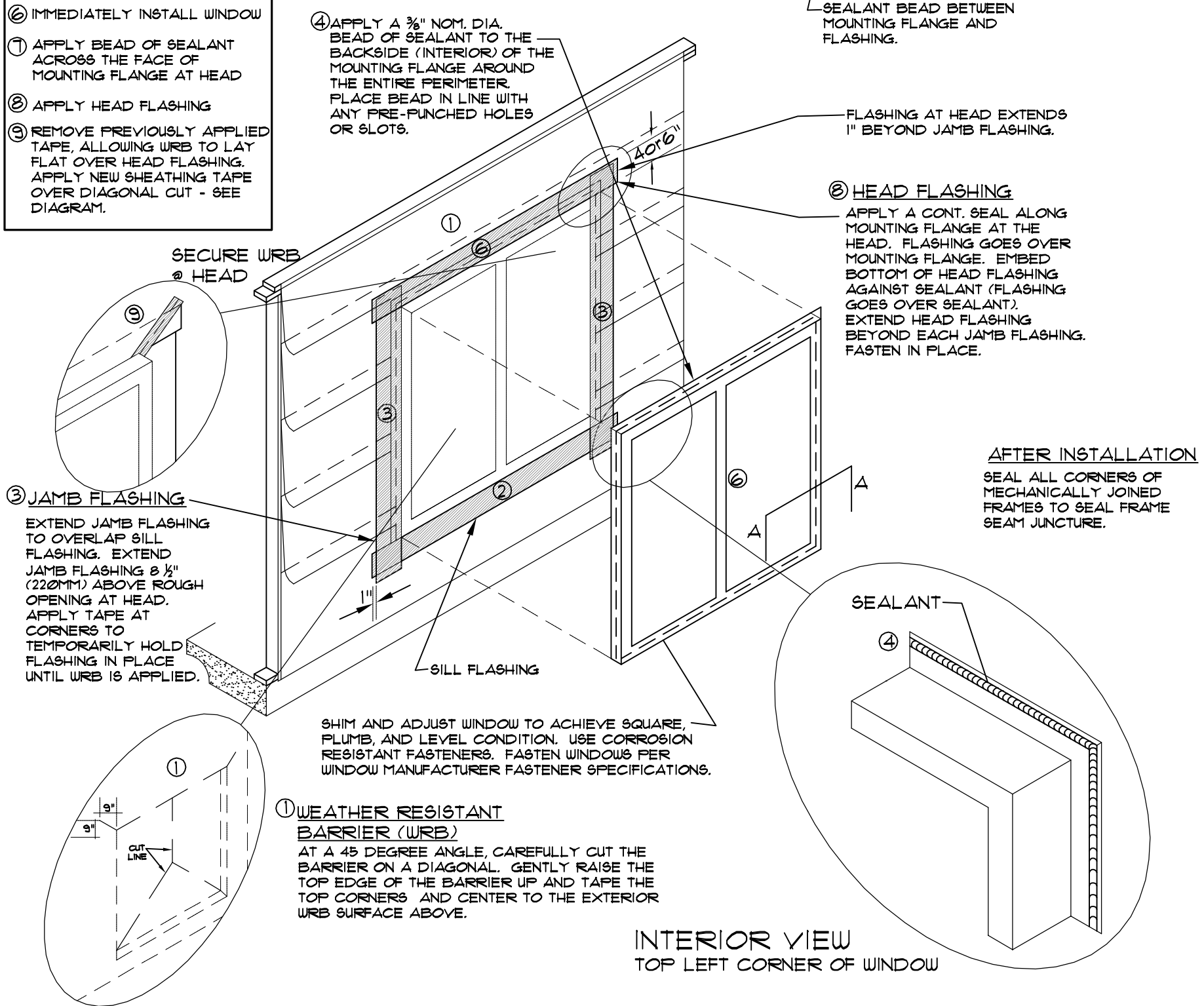
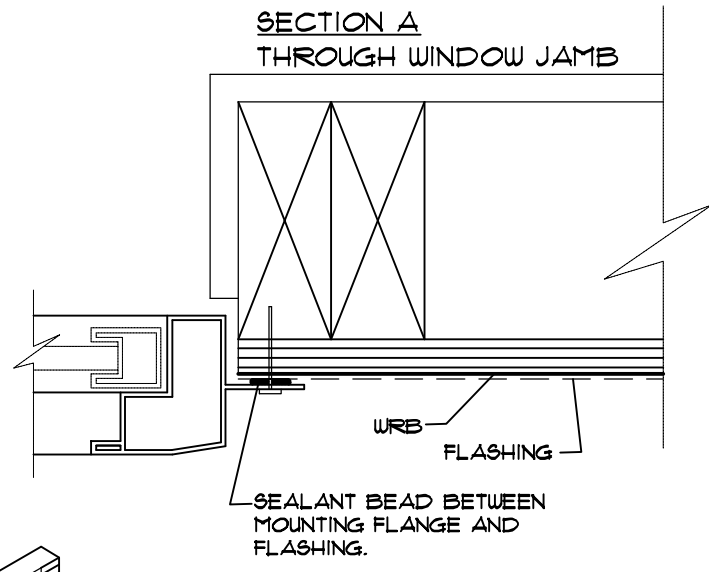
SILL PAN FLASHING

NTS (optional)



WOOD FRAME CONSTRUCTION
CODE COMPLIANT WINDOW INSTALLATION METHOD (FBC-R103.8)
 WEATHER RESISTIVE BARRIER (WRB) APPLIED PRIOR TO THE WINDOW INSTALLATION.
 FLASHING APPLIED **BEHIND** THE MOUNTING FLANGE.

- STEPS**
- ① IN WATER SHEDDING FASHION, STARTING AT THE BASE OF THE WALL & WORKING TOWARDS THE TOP, INSTALL THE WRB TO THE FACE OF THE SHEATHING.
 - ② APPLY SILL FLASHING (4or6")
 - ③ APPLY JAMB FLASHING
 - ④ APPLY BEAD OF SEALANT AROUND THE TOP & 2 SIDES OF THE BACK SIDE (INTERIOR SURFACE) OF WINDOW MOUNTING FLANGE.
 - ⑤ APPLY DISCONTINUOUS BEAD OF SEALANT TO BOTTOM FLANGE, LEAVING (2) 2" GAPS.
 - ⑥ IMMEDIATELY INSTALL WINDOW
 - ⑦ APPLY BEAD OF SEALANT ACROSS THE FACE OF MOUNTING FLANGE AT HEAD
 - ⑧ APPLY HEAD FLASHING
 - ⑨ REMOVE PREVIOUSLY APPLIED TAPE, ALLOWING WRB TO LAY FLAT OVER HEAD FLASHING. APPLY NEW SHEATHING TAPE OVER DIAGONAL CUT - SEE DIAGRAM.



- NOTES:**
1. flashing to be flexible self-adhesive type (min. 4" wide)
 2. cover sill to at least depth of window, plus 2" onto face of wrb
 3. the pan shall direct water to the exterior over sill flashing
 4. install flashing around remaining window unit
 5. weather resistive barrier to form water shedding laps

SILL PAN FLASHING
 NTS (optional)