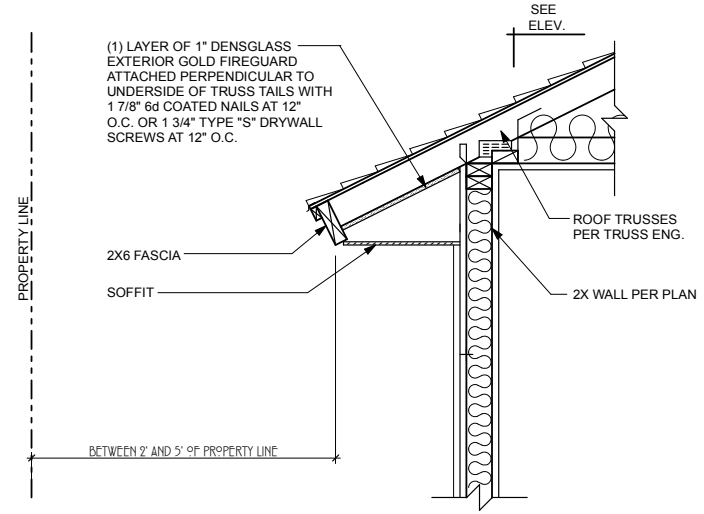


EXTERIOR WALL PROJECTIONS SHALL BE 1 HOUR RATED ON THE UNDERSIDE
WHEN LOCATED BETWEEN 2' AND 5' OF THE PROPERTY LINE.

1 HOUR FIRE RATED OVERHANG

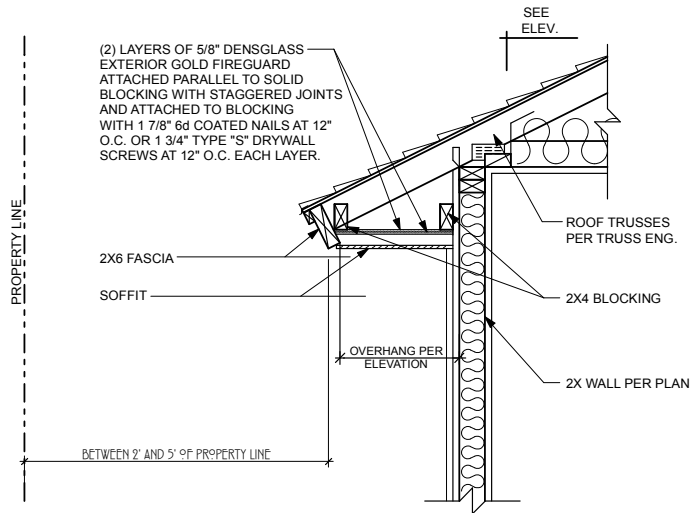
SCALE:
N.T.S.



EXTERIOR WALL PROJECTIONS SHALL BE 1 HOUR RATED ON THE UNDERSIDE
WHEN LOCATED BETWEEN 2' AND 5' OF THE PROPERTY LINE.

1 HOUR FIRE RATED OVERHANG

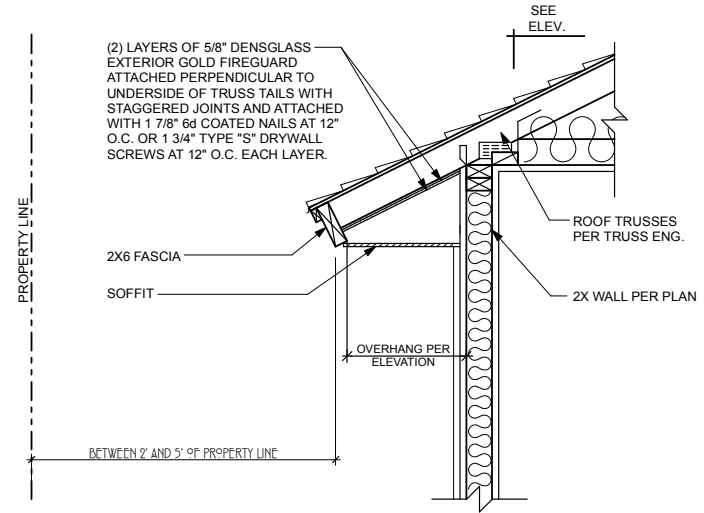
SCALE:
N.T.S.



EXTERIOR WALL PROJECTIONS SHALL BE 1 HOUR RATED ON THE UNDERSIDE
WHEN LOCATED BETWEEN 2' AND 5' OF THE PROPERTY LINE.

1 HOUR FIRE RATED OVERHANG

SCALE:
N.T.S.



EXTERIOR WALL PROJECTIONS SHALL BE 1 HOUR RATED ON THE UNDERSIDE
WHEN LOCATED BETWEEN 2' AND 5' OF THE PROPERTY LINE.

1 HOUR FIRE RATED OVERHANG

SCALE:
N.T.S.